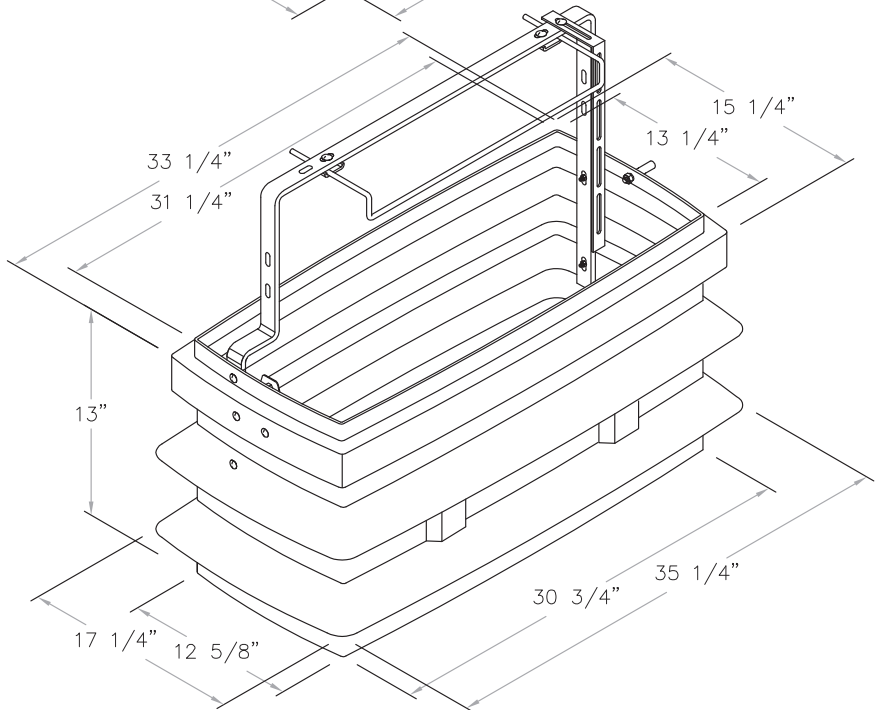
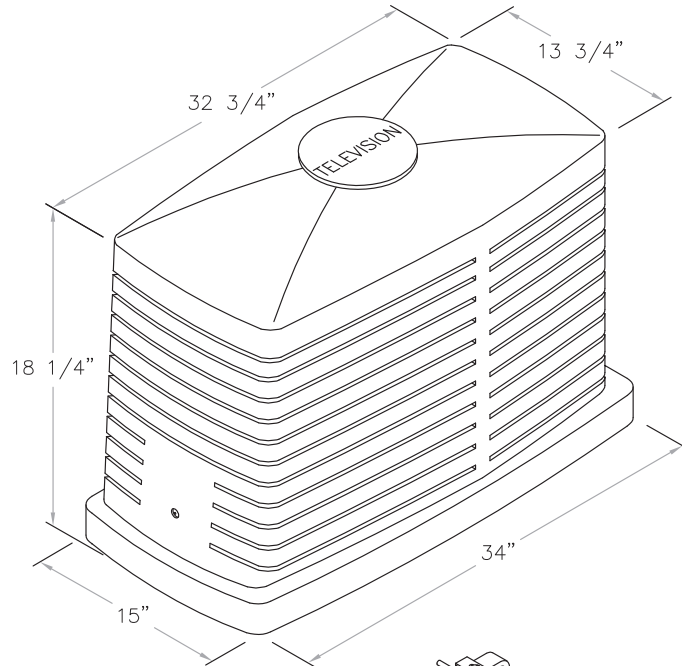


12" x 30" PEDESTAL ASSEMBLY

P6001230



ARMORCAST PRODUCTS COMPANY



DESCRIPTION	NOMINAL SIZE W x L x D	DOVE HEIGHT	ABOVE GRADE	SERIES PART NUMBER	APPROX. WEIGHT	PALLET QTY.
PEDESTAL	12 x 30 x 18	16	19	P6001230	31 lbs.	10

*Custom colors and custom brackets available. Contact factory for more information. *See page 18 for detailed ordering information.

www.armorcastprod.com

Tel: (818) 982-3600 Fax: (818) 982-7742