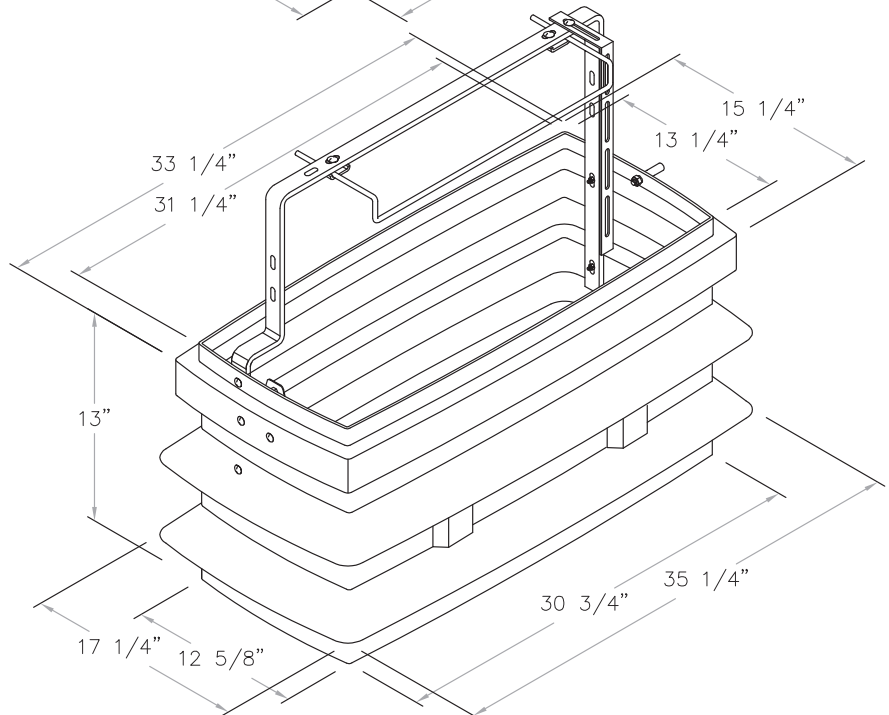
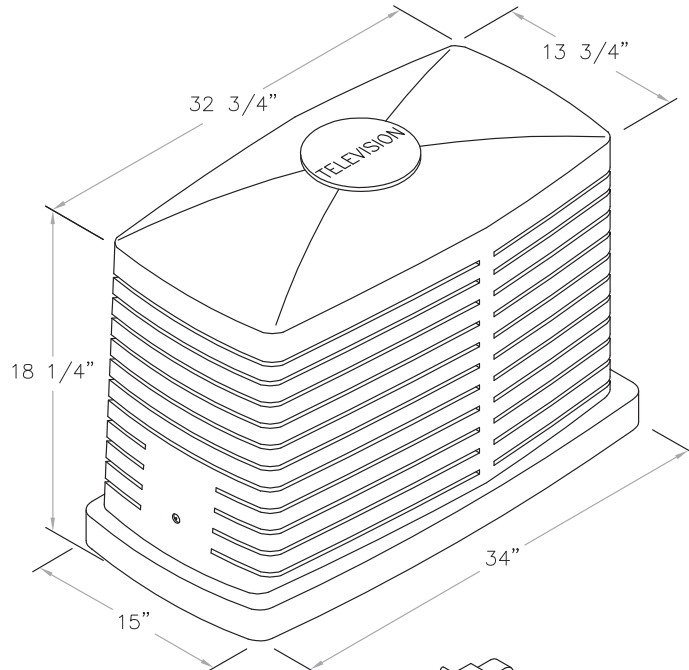


17" x 30" PEDESTAL ASSEMBLY

P6001240



ARMORCAST PRODUCTS COMPANY



DESCRIPTION	NOMINAL SIZE W x L x D	DOME HEIGHT	ABOVE GRADE	SERIES PART NUMBER	APPROX. WEIGHT	PALLET QTY.
PEDESTAL	17 x 30 x 20	18	22	P6001240	38 lbs.	08

*Custom colors and custom brackets available. Contact factory for more information. *See page 18 for detailed ordering information.

www.armorcastprod.com Tel: (818) 982-3600 Fax: (818) 982-7742