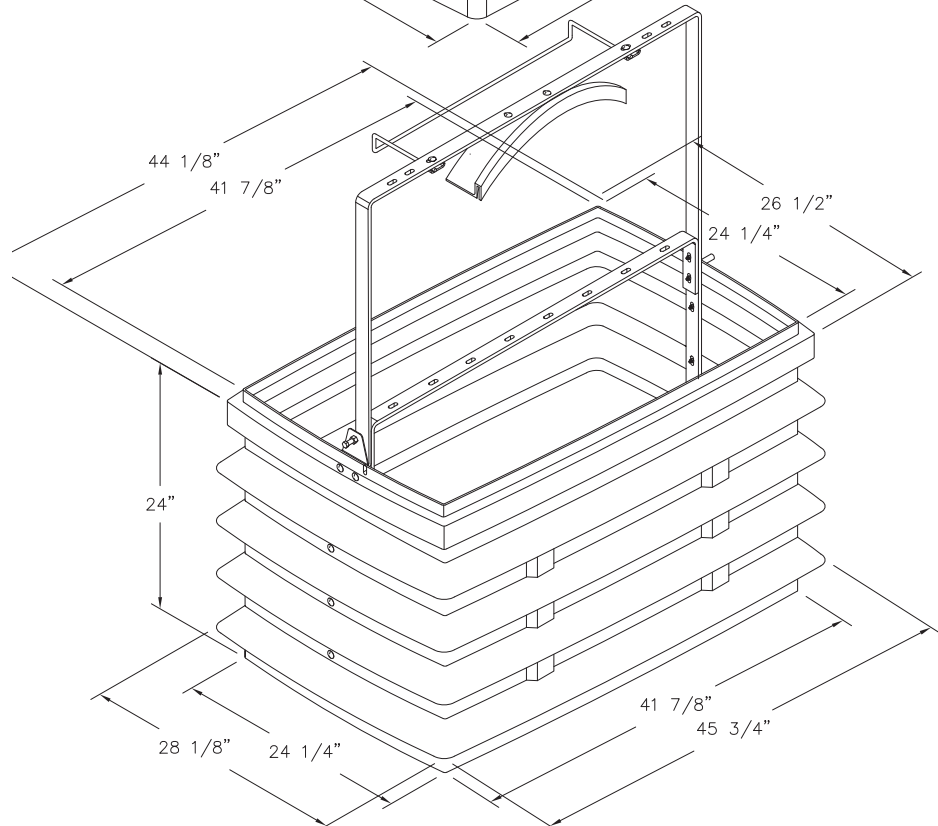
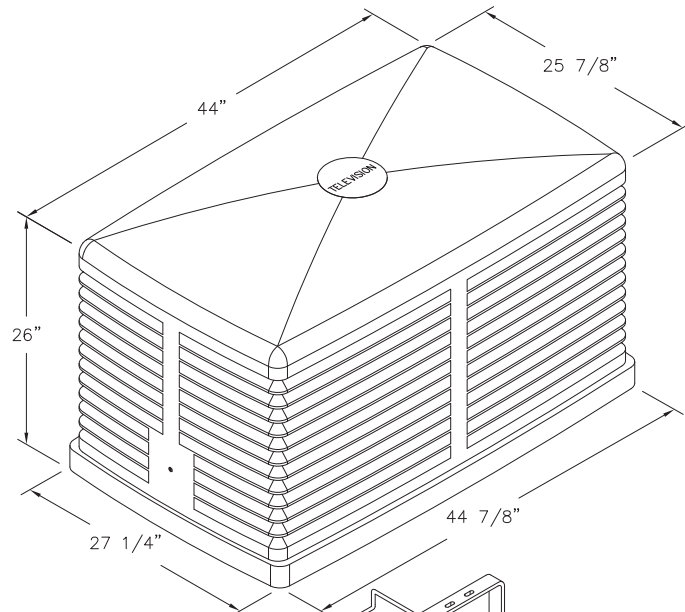




24" x 42" PEDESTAL ASSEMBLY

P6001260

ARMORCAST PRODUCTS COMPANY



DESCRIPTION	NOMINAL SIZE W x L x D	DOMES HEIGHT	ABOVE GRADE	SERIES PART NUMBER	APPROX. WEIGHT	PALLET QTY.
PEDESTAL	24 x 42 x 26	23	27	P6001260	85 lbs.	03

*Custom colors and custom brackets available. Contact factory for more information. *See page 18 for detailed ordering information.