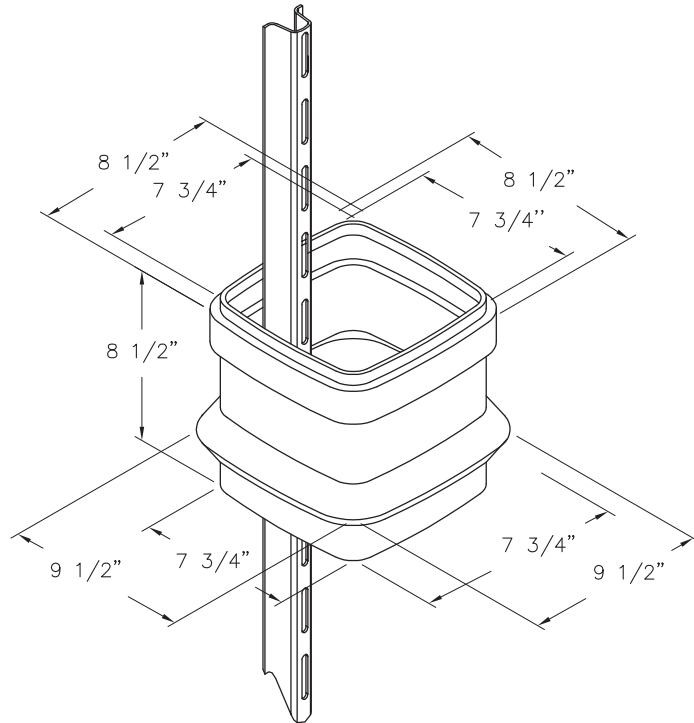
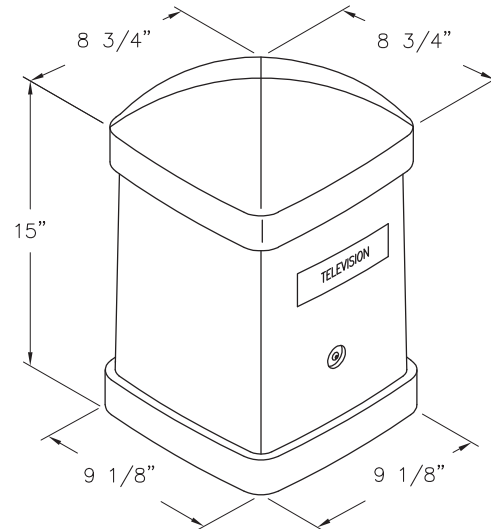


# 8" x 8" PEDESTAL ASSEMBLY

P6001201



ARMORCAST PRODUCTS COMPANY



DESCRIPTION	NOMINAL SIZE W x L x D	DOVE HEIGHT	ABOVE GRADE	SERIES PART NUMBER	APPROX. WEIGHT	PALLET QTY.
PEDESTAL	8 x 8 x 15	13	16	P6001201	08 lbs.	100

\*Custom colors and custom brackets available. Contact factory for more information. \*See page 18 for detailed ordering information.

[www.armorcastprod.com](http://www.armorcastprod.com) Tel: (818) 982-3600 Fax: (818) 982-7742