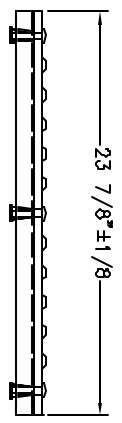
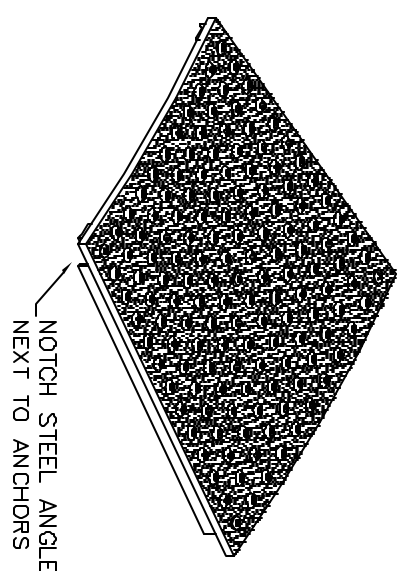
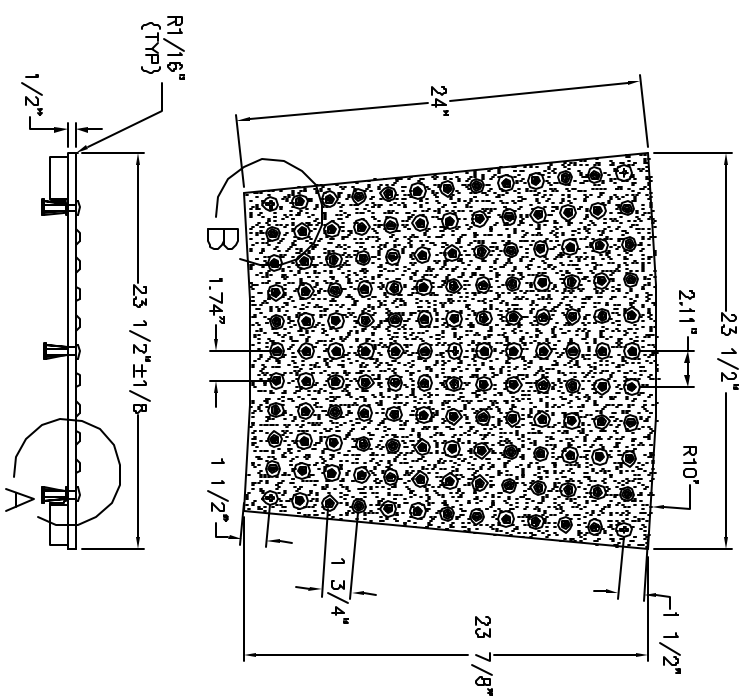
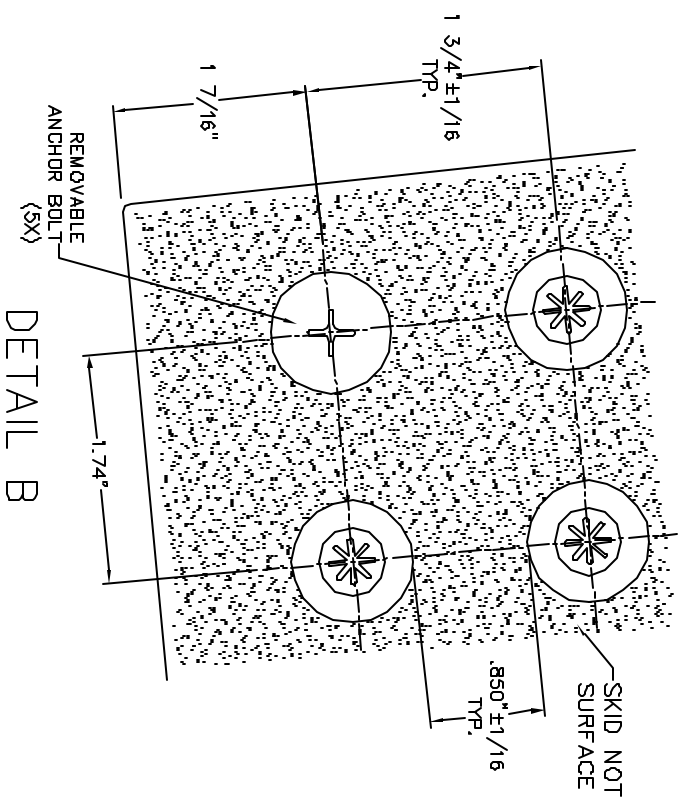


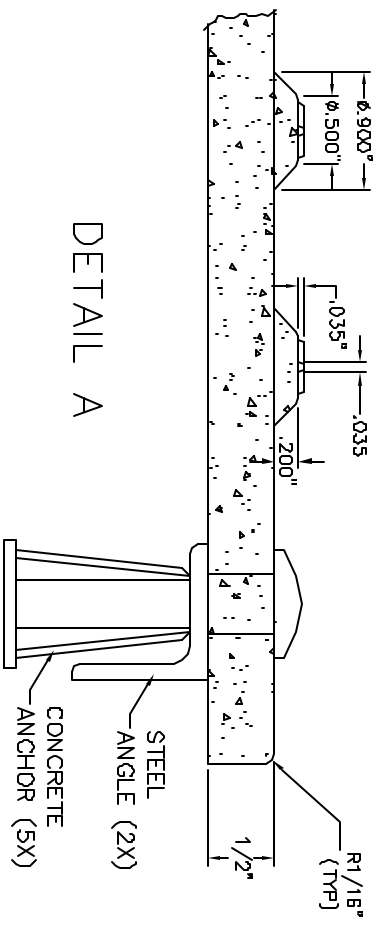
# 10' RADIUS PANEL



A6-R10ADA



DETAIL B



DETAIL A

"XXX" DESIGNATE COLOR

<p>AMERICAN PRODUCTS COMPANY 14320 S. BAYVIEW ST. #200 CERRITOS, CA 94530 (415) 992-5500</p>		<p>10' RADIUS X 1/2" REPLACEMENT DETECTABLE WARNING PANEL</p>	
<p>DATE: 3/07</p>	<p>SCALE: NONE</p>	<p>REV: 0A</p>	<p>PROJECT: POLYMER CONCRETE</p>
<p>WS</p>	<p>3/07</p>	<p>A600R10ADA-XXX</p>	<p>CONCRETE</p>

THE INFORMATION IN THIS DRAWING IS CONFIDENTIAL. THE DRAWING IS NOT TO BE REPRODUCED OR IN ANY MANNER WITHOUT THE WRITTEN APPROVAL OF AMERICAN PRODUCTS COMPANY. IT IS THE PROPERTY OF AMERICAN PRODUCTS COMPANY, 14320 S. BAYVIEW STREET, CERRITOS, CALIFORNIA 94530.