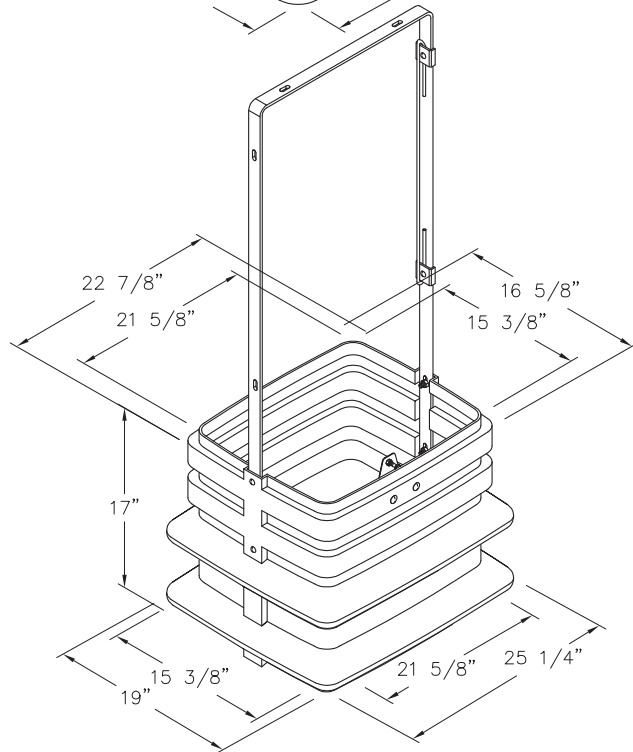
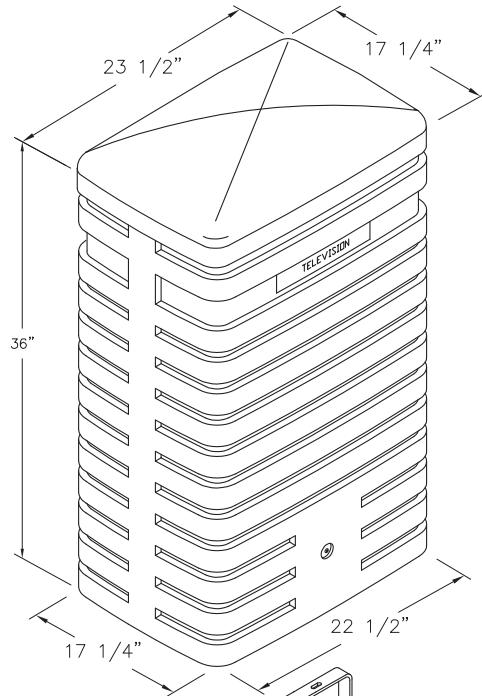




14" x 22" PEDESTAL ASSEMBLY

P6001220

ARMORCAST PRODUCTS COMPANY



DESCRIPTION	NOMINAL SIZE W x L x D	DOVE HEIGHT	ABOVE GRADE	SERIES PART NUMBER	APPROX. WEIGHT	PALLET QTY.
PEDESTAL	14 x 22 x 36	34	37	P6001220	41 lbs.	08

*Custom colors and custom brackets available. Contact factory for more information. *See page 18 for detailed ordering information.